



## 4000/3000/2000 Series

The 4000/3000/2000 Series have a compact, reliable design that combines the features of a high-quality lightbar with low-cost requirements.

- The **4000 Solaris** series stands out for its 24 latest-generation Solaris LED priority lights with advanced optical design, high intensity and reduced consumption.

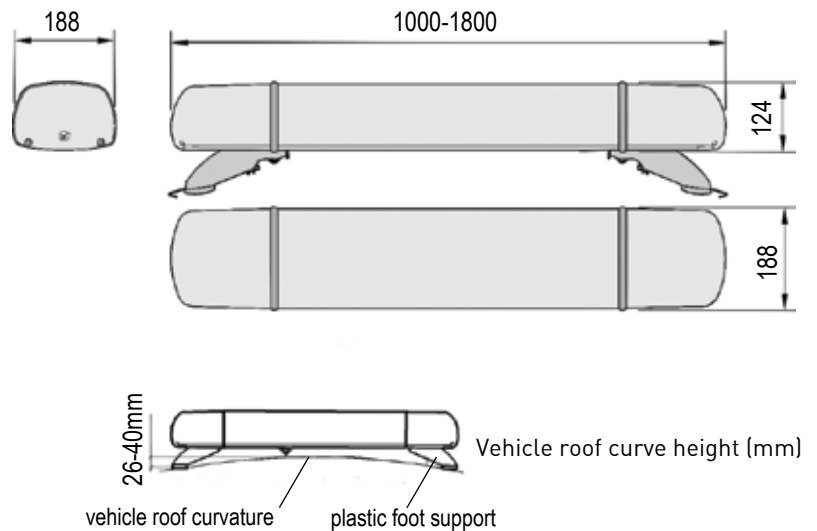
- The **3000 Strobe** series has two, four or six high-power omnidirectional strobe lights. The power supply is integrated in the lightbar.

- The **2000 Halogen** series is made of high-luminosity single or synchronised rotating halogen priority lights.

The 4000/3000/2000 series come with secondary lighting options including Takedown and Alley lights, Solaris LED modules, additional halogen or strobe units, illuminated signs, SignalMasters, and Brake, turn, tail lights.



4000 Solaris, 3000 and 2000 Series dimensions (mm).



Voltage:	12 or 24 V
Dimensions:	600 - 1800 x 188 x 124 mm Mini lightbar: 463mm Solaris, 363mm rotators
Solaris LED colours:	blue, amber, red



## REF. MOD. DESCRIPTION

### 4000 Solaris Series

MP4-2S1N	Basic Minilightbar, standard length, (2) rings of (15) high-intensity LEDs in (1) level with parabolic reflector, blue (UN 65 approved), amber (UN 65 approved) or red light, multivoltage, wiring harness
MP4-2S2N	Basic Minilightbar, standard length, (2) rings of (15) high-intensity LEDs in (2) levels with parabolic reflector, blue (UN 65 approved), amber (UN 65 approved) or red light, multivoltage, wiring harness
MP4-4S1N	Basic Minilightbar, maximum 700 mm, (4) rings of (15) high-intensity LEDs in (1) levels with parabolic reflector, blue (UN 65 approved), amber (UN 65 approved) or red light, multivoltage, wiring harness
MP4-4S2N	Basic Minilightbar, maximum 700 mm, (4) rings of (15) high-intensity LEDs in (2) levels with parabolic reflector, blue (UN 65 approved), amber (UN 65 approved) or red light, multivoltage, wiring harness

### Specify All Options System - Standard lengths: 800mm - 1300mm

P4-2S1N	Basic lightbar, standard length, (2) rings of (15) high-intensity LEDs in (1) level with parabolic reflector, blue (UN 65 approved), amber (UN 65 approved) or red light, multivoltage, wiring harness
P4-2S2N	Basic lightbar, standard length, (2) rings of (15) high-intensity LEDs in (2) levels with parabolic reflector, blue (UN 65 approved), amber (UN 65 approved) or red light, multivoltage, wiring harness
P4-4S1N	Basic lightbar, standard length, (4) rings of (15) high-intensity LEDs in (1) level with parabolic reflector, blue (UN 65 approved), amber (UN 65 approved) or red light, multivoltage, wiring harness
P4-4S2N	Basic lightbar, standard length, (4) rings of (15) high-intensity LEDs in (2) levels with parabolic reflector, blue (UN 65 approved), amber (UN 65 approved) or red light, multivoltage, wiring harness

### 3000 Series

#### Specify All Options System - Standard lengths : 1000mm - 1300mm

P3000M	600 mm minilightbar, (2) 360° strobe heads, wiring harness. UN R65 approved
P3000	(2) 360° Strobe heads, w/ power supply, wiring harness. UN R65 approved
P3000/4E	(4) 360° Strobe heads, w/ power supply, wiring harness.

### 2000 Series

#### Specify All Options System - Standard lengths : 1000mm - 1300mm

P2000M	363 mm minilightbar, (2) belt-driven rotators, wiring harness. UN R65 approved
P2000	(2) Belt-driven rotators, wiring harness. UN R65 approved, 12V
P2000-24	(2) Belt-driven rotators, wiring harness. UN R65 approved, 24V
P2000/4R SY	(4) Belt-driven rotators, wiring harness. UN R65 approved, 12V
P2000/4R SY-24	(4) Belt-driven rotators, wiring harness. UN R65 approved, 24V

### Options for 4000 Solaris, 3000 and 2000 Series Supplement for lengths

A-SUPL/A1	Supplement for lengths between 1400 and 1600 mm
A-SUPL/A2	Supplement for lengths between 1700 and 1800 mm
A-SUP-SEP	Supplement for several colours lightbar (1 per colour) **(Flat mount kit included in price. Other mounts purchased separately)

### Lighting Options

A-R1	(1) Rotator central section, H1 halogen lamp
A-FA702-2ES	(2) Directional strobe heads, with FA702 power supply
A-FF	(2) Takedown lights, H1 halogen lamp
A-FL	(2) Alley lights, H3 halogen lamp
A-WL	(2) Rear work light, H1 halogen lamp
A-SML1/A-I	(2) SML1, halogen lights, w/ flasher, amber
A-SML1/R-I	(2) SML1, halogen lights, w/ flasher, red
A-SML1/A	(2) SML1, halogen lights, w/o flasher, amber
A-SML1/R	(2) SML1, halogen lights, w/o flasher, red
A-LF SLR	(2) modules of (3) high-intensity LEDs with parabolic reflector, steady burn mode, blue, amber, red or white lights
A-LI SLR	(2) modules of (3) high-intensity LEDs with parabolic reflector, flashing mode, blue, amber, red or white lights
A-BTT/LED	(2) Brake/Tail/Turn lights LED
A-ESP	(2) Mirrors

REF.	MOD.	DESCRIPTION
------	------	-------------

### Lighted Signs

A-CIO	(1) Lighted opal sign with optional message, 12V
A-CIO-24	(1) Lighted opal sign with optional message, 24V
CIL1-A-12	(1) LEDs lighted opal sign with optional message, 12V
CIL1-A-24	(1) LEDs lighted opal sign with optional message, 24V
A-AD	(2) Adhesive messages for lighted sign

### SignalMaster

A-SL6 SLR	SignalMaster Solaris, directional lighting system, (6) modules of (3) high-intensity LEDs with parabolic reflector, w/o controller, specify colour red, amber or blue
A-SL8 SLR	SignalMaster Solaris, directional lighting system, (8) modules of (3) high-intensity LEDs with parabolic reflector, w/o controller, specify colour red, amber or blue
A-SL6KS SLR	SignalMaster Solaris, directional lighting system, (6) modules of (3) high-intensity LEDs with parabolic reflector, with controller, specify colour red, amber or blue
A-SL8KS SLR	SignalMaster Solaris, directional lighting system, (8) modules of (3) high-intensity LEDs with parabolic reflector, with controller, specify colour red, amber or blue

\*\* (Control purchased separately. See Signalmaster controllers or Integrated Control Systems ICS)

### Mount Accesories

8234087 A-FP/PA	Permanent mounting bracket, low
8234105 A-FP/PB	Permanent mounting bracket, high
8234104 A-FT	Hook-on mounting kit (hook-on not included)
8234148 A-FMG	Magnetic mount, 4000/3000/2000 minilightbars Series
8234150 A-FMG-12I	Magnetic mount, 4000/3000/2000 minilightbars Series with 12 magnets
MCH	Cigarette plug
A-CT19	Roof connector, 23-ways
A-CT23	Roof connector, 19-ways