

NEW

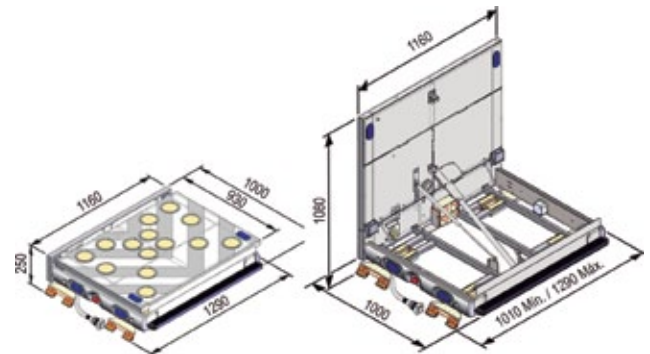


## Road Safety Arrow Foldable LED panel

Federal Signal Vama presents Road Safety Arrow, a foldable LEDs panel, high-tech, great lighting and designed to provide big visibility, even in fast roads, with vehicles getting closer at a high speed.

Due to its excellent LED light lighting, Road Safety Arrow range has been designed both to help to control traffic when the emergency vehicle is parked, and also when the situation requires to alert and manage traffic from long distances.

Power Supply:	12V
Operating temperature:	-20°C to 50°C
Maximum opening / closing current:	8.7 Amp. / 5.7 AMP.
Maximum current with all the lights ON (Cross+all blue lights + SignalMaster solaris):	7.5 Amp
Colour of perimetral lights:	Blue or amber
Colour of arrow lights:	Amber
Colour of reflective stripes:	white - red, white - blue or red - yellow
Foldable panel, opening duration time:	25 seg.
Foldable panel, closing duration time:	25 seg.
Weight:	64 kg without brackets 77,2 Kg with brackets



Road Safety Arrow dimensions in mm.

### ADDED VALUES

- **EASY INSTALLATION.** All models have a roof standard connector and CANBUS technology, which minimizes vehicle installation.
- **FAST PANEL OPENING AND CLOSING SYSTEM.** Fast opening/closing system, lasting just 25 seconds to be completely opened / closed.
- **SIGNALMASTER.** When approaching at operation or at emergency zone, a Signalmaster function reinforces security around perimeter vehicle, adding an excellent light coverage to the LED panel.
- **ALERT SOUND SYSTEM WHEN OPENING AND CLOSING THE PANEL.** To alert the worker from any panel movement, avoiding risks and increasing security.
- **VEHICLE BATTERY CONTROL SYSTEM.** It exists 3 battery states. In the last state, a short whistling sound is emitted every 30 seconds, to warn about the low battery level available.
- **EMERGENCY SYSTEM TO OPEN/CLOSE THE PANEL.** It incorporates 2 emergency opening / closing buttons, in case the panel should be suddenly interrupted. If necessary it also provides a manual opening system.
- **EXCEPTIONAL LIGHTING.** As Road Safety Arrow is compound of 19 lights made of 21 LED lights + 10 Microled Advance along the panel, is one of the most illuminated arrow warning systems that currently exists in the market, clearly magnifying the vehicle's presence (up to 3 Km distance), and therefore, increases security and reduces risk.
- **MODERN AND ERGONOMIC DESIGN.** Its high quality workmanship and appearance, together with the simetric lights and Microled Advance arrangement, makes Road Safety Road have an attractive design and assures that can be seen efficiently both during the day and at night.

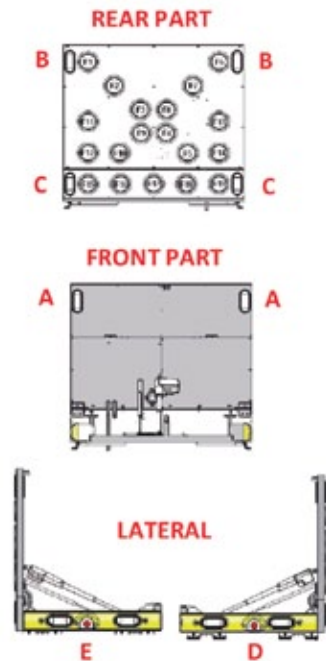


## Approvals

- RSA approved under R-10 (EMC).
- Light intensity of arrow light according to class L2H of EN12352.
- Perimetral lights approved under R-65 category X.
- Degree of Protection (IP CODE):
  - \* Arrow lights: IP65
  - \* Perimetral lights: IPX9K

## ROAD SAFETY ARROW PRESELECTED MODELS:

ROAD SAFETY ARROW references:	INTEGRATED IN ROAD SAFETY ARROW					OPTIONAL	
	FOLDABLE PANEL		PANEL BASE			PANEL	PANEL BASE
	Right and left arrow, cross	2 vertical Microleds in front part (A)	2 vertical Microleds in rear part (B)	2 vertical Microleds in rear part (C)	4 horizontal Microleds in lateral part (D)	Reflective stripes in rear part	LED Solaris 115L CB Signalmaster in front part
2025489-02	○	○	○	○	○	-----	-----
2025489-02-SM	○	○	○	○	○	-----	○
2025489-01	○	●	●	●	●	● ○	-----
2025489-01-SM	○	●	●	●	●	● ○	●
2025489BW-02	○	○	○	○	○	● ○	-----
2025489BW-02-SM	○	○	○	○	○	● ○	○
2025489RW-02	○	○	○	○	○	● ○	-----
2025489RW-02-SM	○	○	○	○	○	● ○	○
2025489RW-01	○	●	●	●	●	● ○	-----
2025489RW-01-SM	○	●	●	●	●	● ○	●
2025489RY-01-SM	○	●	●	●	●	● ●	●



REF.	MOD.	DESCRIPTION
------	------	-------------

### Preselected Models

2025489-02		RSA - ROAD SAFETY ARROW 2 AM-AM*
2025489-02-SM		RSA - ROAD SAFETY ARROW 2 AM-AM*
2025489-01		RSA - ROAD SAFETY ARROW 2 AM-BL*
2025489-01-SM		RSA - ROAD SAFETY ARROW 2 AM-BL*
2025489LS-01-SM		RSA - ROAD SAFETY ARROW 2 AM-BL*
2025489BW-02		RSA - ROAD SAFETY ARROW 2MOD LAT.AM RFLX.BLUE/W
2025489BW-02-SM		RSA - ROAD SAFETY ARROW 2MOD LAT.AM RFLX.BLUE/W C/SM
2025489RW-02		RSA - ROAD SAFETY ARROW 2MOD LAT.AM RFLX.RED/W
2025489RW-02-SM		RSA - ROAD SAFETY ARROW 2MOD LAT.AM RFLX.RED/W C/SM
2025489BW-01		RSA - ROAD SAFETY ARROW 2MOD LAT.BLUE RFLX.BLUE/W
2025489BW-01-SM		RSA - ROAD SAFETY ARROW 2MOD LAT.BLUE RFLX.BLUE/W C/SM
2025489RW-01		RSA - ROAD SAFETY ARROW 2MOD LAT.BLUE RFLX.RED/W
2025489RW-01-SM		RSA - ROAD SAFETY ARROW 2MOD LAT.BLUE RFLX.RED/W C/SM
2025489RY-01-SM		RSA - ROAD SAFETY ARROW 2MOD LAT.BLUE RFLX.RED/Y C/SM

### Control Head

BCT2009-SA01	BCT2000 Series control head, 9 control keys.
8216160SA01	BCT500CB Series, 13 control keys, (with public address)

### Permanent mounting kit

8234192	RSA Permanent mounting kit
---------	----------------------------