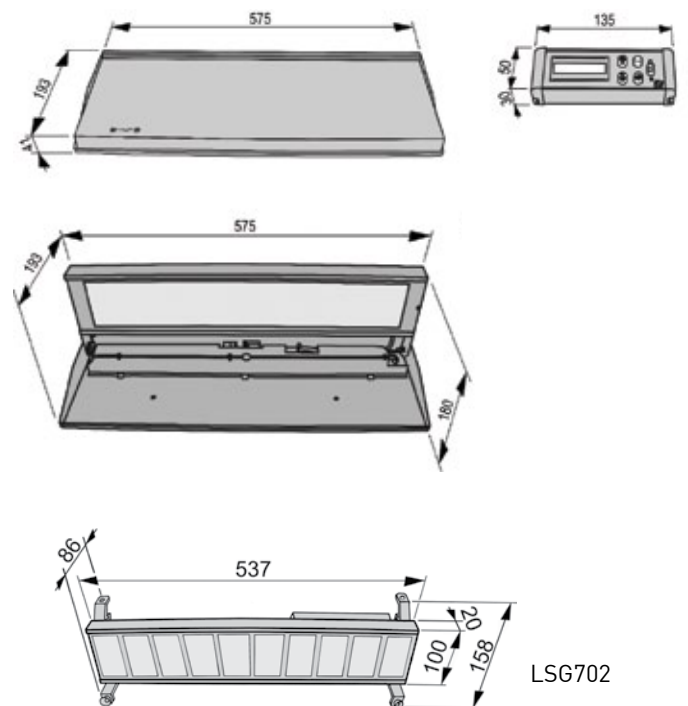


## SMARTSIGN

The **LSG700** sign is a foldable and programmable LED sign, with capacity for 200 totally programmable messages. The length of messages is up to eight lines with ten characters.

It is controlled through LCD702 control head, with LCD screen and selection keys. It allows, through a simple menu system, to select and previsualize the message before it appears in the LED sign.

Through the SmartSign Message Editor PC software, it is easy to edit and unload the 200 messages to the control head. It allows to program letters, numbers and symbols (arrows, square, etc.). In addition, it has a wide library of the most usual messages in different countries.



SmartSign dimensions (mm).

Voltage:	12 V
Number of programmable messages:	200
Number of lines by message:	8
Number of characters in display:	10
Character size:	75 x 44 mm
Matrix size:	7 x 5 LEDs
LED colour:	red
LED diameter:	5 mm
Radiation angle:	15°
Dimensions:	Screen size: 506 x 86 mm Control head: 50 x 12 mm
Weight:	Sign: 2850 g Control head: 140 g

REF.	MOD.	DESCRIPTION
2025310	LSG700	(1) Programmable LED sign, 575x195x185 mm, in metal flip up undercover case. 200 Programmable messages by SmartSign Message Editor. LCD700 Control head w/ LCD back-lit screen to display messages. **(SmartSign Message Editor and LCD700 control head purchased separately)
2025377	LSG702	(1) Programmable LED sign, 575x195x185 mm, fixed mountig kit with (2) "L" brackets in the upper level and (2) suction pad in the lower level, 200 Programmable messages by SmartSign message Editor, LCD700 control head w/LCD back-lit screen to display messages  * LCD700 must be ordered separately.
8216112XXX	LCD700	LCD700 Control head w/ LCD back-lit screen to display messages.
2025336	SSME	SmartSign Message Editor, for editing and downloading SmartSign programmable LED sign messages from PC.