



## VISTA Series

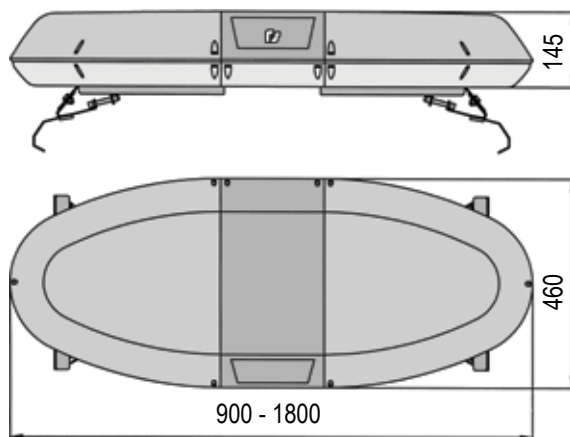


Lightbars with a modern design and two light levels (upper and lower level) and an extreme broad range of set-up options for visual and acoustic emergency signalling.

Priority lights are available with three different technologies for various applications:

The **Vista Solaris** series stands out for its Solaris Led priority lights, whose light emission is made by module assembly composed of 3 leds of 3 watts and a semiparabolic reflector of metallized polycarbonate, all arranged around the perimeter of a horizontal plate of ROC technology print circuit, which eliminates the conventional wiring inside the lightbar.

It also has a wide range of lighting and acoustic options, like Takedown and Alley lights, LED steady burn and/or flashing modules, auxiliary lights, SmartSign programmable LED signs, LED SignalMasters, Integrated control systems, siren amplifiers, and 100W loudspeakers.



Vista Series dimensions (mm).

Voltage:	12 or 24 V
Dimensions:	900 - 1800 x 460 x 145 mm
Available lengths:	36" (900 mm) - without speaker 44" (1100 mm), 53" (1350 mm) 62" (1600 mm), 71" (1800 mm)
LED colours:	blue, amber, red, green



## REF. MOD. DESCRIPTION

### Specify All Options System

X01-X03	36" ( 900 mm) Lightbar, all-light, wiring harness
X11-X13	44" (1100 mm) Lightbar, all-light, wiring harness
X21-X23	53" (1350 mm) Lightbar, all-light, wiring harness
X31-X33	62" (1600 mm) Lightbar, all-light, wiring harness
X41-X43	71" (1800 mm) Lightbar, all-light, wiring harness
X12-X14	44" (1100 mm) Lightbar, speaker, wiring harness
X22-X24	53" (1350 mm) Lightbar, speaker, wiring harness
X32-X34	62" (1600 mm) Lightbar, speaker, wiring harness
X42-X44	71" (1800 mm) Lightbar, speaker, wiring harness

\*\* (Mounting kit included in price. Hook-on brackets purchased separately)

### Options - Priority lights - Upper Level

#### Solaris LEDs

X-SL	(26) modules of (3) high-intensity LEDs with parabolic reflector, blue (UN 65 approved), amber or red light
------	---

### Options - Center Section - Upper Level

X-CIO/1	(1) Lighted opal sign, on central module, 1100mm lightbars
X-CIO/2	(2) Lighted opal sign, on central modules, 1300mm lightbars
X-CIOL/1	(1) LEDs lighted opal sign, on central module, 1100mm lightbars
X-CIOL/2	(2) LEDs lighted opal sign, on central modules, 1300mm lightbars
X-AD	(1) Adhesive message for lighted sign (front or rear)
X-LSG700	SmartSign LED sign, 200 programmable messages, 575x195x185mm. LCD700 control head and SmartSign Message Editor not included in price. See LED Signs SmartSign. (in combination with clear upper domes)
X-VB	(1) Installation of VisiBeam in a Vista Series lightbar. (Light not included).

### Options - Center Section - Upper Level

AS320 DIG CAN BUS	100W siren amplifier, international tones (wail, yelp, hi-lo), 1 auxiliary output programmed with Priority lights, wiring, 12V. Compatible only with BCT2000 and BCT500-CB Series control heads
-------------------	---

### Options - Secondary Lights - Lower Level (specify colour)

X-SLE	(1) modules of (3) high-intensity LEDs with parabolic reflector, blue, amber, red and white light
X-FPL	(2) Work lights, w/ lens ** The function for each Solaris module must be specified when the lightbar and control head are ordered. ** Please contact your Sales Dept. for availability of configurations and versions."

### Public address

8235984	AS320-PA CB Public address kit with remote control. Volume and microphone functions control (for control head BCT2000)
---------	--

### CAN BUS Control Head

BCT2006	BCT2000 Series control head. 6 control keys.
BCT2010	BCT2000 Series control head. 10 control keys.
BCT2015	BCT2000 Series control head. 15 control keys.
BCT2021	BCT2000 Series control head. 21 control keys.
BCT500CB	BCT500 Series control head. 13 control keys (public address included) ** Please contact your Sales Dept. for availability.

### Converter CAN BUS - ANALOG

2006036	Inputs box to convert a CAN BUS lightbar in an analog system (the functions are activated through positive cable)
---------	---

### Mount Accessories

8234144	X-FP Permanent mounting kit
8234137	Hook-on mounting bracket (hook-on not included)
X-FB	Metal mounting kits on bars (contact our sales department for available models)
X/CT-23	Roof connector, 23- ways