



VISTA Series

CONFIGURABLE LIGHTBARS

Federal Signal Vama presents the **Vista Series**, lightbars offering a modern design and two light levels (upper and lower) and an extremely broad range of set-up options for priority, complementary and acoustic emergency warning.

Vista Sputnik Series stands out for its latest-generation Sputnik LED priority lights with advanced optical design, high intensity and reduced consumption.

Vista Strobe Series has high-power strobe priority lights and a power supply integrated in the lightbar.

Vista Halogen Series is made up of high-luminosity rotating halogen priority lights.

- Dome colours:
Upper Level priority lights available in amber, blue, red or clear.
Upper Level Center Section available in amber, blue, red, clear or opal.
Lower Level available in clear.
- Smooth domes manufactured in high-strength injected polycarbonate.
- Watertight plastic joints.
- Lightbars available in lengths 900, 1100, 1350, 1600 and 1800 mm.
- Wiring harness (standard) or roof connector (optional).
- Permanent or detachable hook mounting on vehicle roof.
- 12V or 24V power source.
- Ideal installation for priority emergency warning (warning lights), complementary and acoustic warning of police vehicles, ambulances, medical services, firetrucks and other emergency vehicles.



Vista Halogen and Strobe Series lightbars

Approvals

Vista Sputnik Series in amber and blue colours complies with R-65 European Regulation.
Vista Strobe and Halogen Series in amber and blue colours comply with R-65 European Regulation.
Vista Sputnik Series is according to the European Directive 2004/104 on Electromagnetic Compatibility. Vista Strobe and Halogen Series are according to European Directive 95/54/CE.

Vista Sputnik Series. LED priority lights lightbar

Linear optical system- Upper Level

Two series of fourteen latest-generation Sputnik LEDs offering advanced optical design, high intensity, low consumption and control unit with lamp failure detection.

Vista Strobe Series. Strobe priority lights lightbar

360° optical system - Upper Level

Four, six or eight xenon gas discharge lamps and FA-804 power supply with lamp failure detection.

Linear optical system - Upper Level

Four xenon gas discharge lamps and FA-188/4DF power supply with lamp failure detection.

Vista Halogen Series. Rotating halogen priority lights lightbar

360° optical system - Upper Level

Two independent belt-driven rotators.

360° synchronised optical system - Upper Level

Two sets formed each one by two synchronised belt-driven rotators.

Cruise Light. Vista Strobe and Halogen Series

Warning: In accordance with the Spanish General Regulation for vehicles, it is only allowed on police vehicles. The traffic authorities may question its use on other emergency vehicles.

For rest of other countries, consult the current national highway code. The local traffic authorities may question its use.

Mirrors. Vista Strobe and Halogen Series

These increase the luminosity of rotating halogen and strobe priority lights, available in specific configurations.

Configurable options. Vista LED, Strobe and Halogen Series

Secondary Options - Upper Level - Center Section

Belt-driven rotator, halogen, 12V or 24V.

100W high-power work lights, 12V.

Oscillator lights (left/right), 12V or 24V.

TCL oscillator lights(all directions), 12V or 24V.

VisiBeam 55W (12V) or 65 W (24V) search light, mount on center section.

Acoustic Options - Upper Level - Center Section

100W speaker integrated in the lightbar.

ICS2010 Integrated Control System, 100W siren amplifier, Signalmaster™ directional lighting system control, ten relays to control lights using BCT-500 control heads with public address, integrated microphone.

AS-250 100W siren amplifier, (Two Tones, Wail and Yelp tones), without public address.

AS-320 100W siren amplifier, (Two Tones, Wail and Yelp tones), remote control with public address, integrated microphone.

35W compact siren integrated in the lightbar with 16 available tones (Two Tones, Wail, Yelp, etc) or with tones for Germany and France.



Sputnik LED priority lights



Linear strobe priority lights



Rotating halogen priority lights



Synchronised rotating halogen priority lights



Front halogen light



Speaker integrated in the lightbar

Sign options - Upper Level

Central illuminated sign, in opal, center section (with one to three central modules). No text.
Self-adhesive text for central illuminated sign.

SmartSign programmable LED sign with 200 user-programmable messages (by TPL700 programming terminal). Available only in length of 1100mm.

LCD700. Control head. Available in Spanish, English, French and Italian.

TPL700. Programming terminal. Available in Spanish, English, French and Italian.

SmartSign Message Editor. PC program for editing and downloading messages.

Secondary options - Strobe lights - Lower Level

Two or four strobe heads with power supply.

Six or eight strobe heads with two power supplies.

Secondary options - Lower Level

Front, rear and alley halogen lights, 50W, 12V or 24V.

Front, rear and alley halogen lights with flashing mode and lens, 35W (12V) or 20W (24V)

Rear halogen works lights with lens, 50W, 12V or 24V.

Brake, turn and tail lights with red or amber lens, 21W + 4W, 12V or 24V.

3W Sputnik LEDs modules, front or rear, steady burn or flashing mode, amber, blue and red, 12V.

3W Sputnik LEDs modules, front or rear, amber and blue, 12V (synchronized auxiliary lights with priority lights. Only available in Vista Sputnik Series).

Directional warning options - Lower Level

SignalMaster, halogen or LED, six or eight modules, red or amber colour, 12V or 24V.

SignalMaster, Sputnik LED, six or eight modules, amber colour, 12V or 24V.

SignalMaster, Sputnik LED, Kontrol Series, six or eight modules, amber colour, 12V or 24V.

Oscillating light options - Lower Level

VistaRay, oscillating halogen light, 12V or 24V.

Connection options

Wiring harness (standard).

Roof connector, 23 Ways (standard option).

Mount accessories. Vehicle roof mounting systems

Permanent roof mount

Suitable for all vehicles.

Detachable hook-on mount

Consult our Commercial Department for availability.

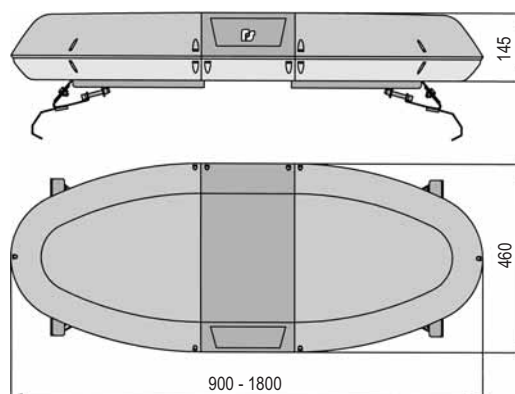
Lightbar mounting bracket kits

Vista lightbar bracket kit for permanent roof mount.

Vista lightbar bracket kit for detachable hook-on mount.

How to order

Consult our Commercial Department for configuration.



Vista Series lightbars. Dimensions (mm)



Central illuminated sign



6-modules halogen Signalmaster



Alley halogen lights



23 Ways roof connector



Detachable hook-on mount

FEDERAL SIGNAL VAMA
Safety and Security Systems

An ISO9001:2000 Certified Company
Dr. Ferrán, 7
08339 VILASSAR DE DALT
BARCELONA - SPAIN
Tel 34 93 741 79 32
Fax 34 93 750 78 23
Email: marketing@vama.es

www.fedsigmama.com