

**Technical specifications**

- **Voltage:** Multivoltage (10-30V).
- **Number of LEDs:** 6 (single colour or dual colour).
- **Consumption 12V:** Flash pattern: 0.75 Amp.
- **Consumption 24V:** Flash pattern: 0.45 Amp.
- **Flash pattern (single colour):** 7.
- **Flash pattern (dual colour):** 16.
- **Operating temperature:** - 40 to 80°C.
- **Dimensions (with bezel):** 107, 5 x 27, 5 x 9,3mm.
- **Dimensions (without bezel):** 104 x 24 x 9, 3 mm.
- **Weight:** 42 gr.

**Approvals**

- Single colour amber, blue and red lights satisfy R65, Class 1 and Class 2 European Directive.
- All models satisfy R10 Electromagnetic Compatibility Regulation.
- IP protection: IPX9K, IPX6.

**NANOLED Series**

Ultra compact LED lights

**HOW TO ORDER**

REFERENCE	LED COLOUR	FLASH PATTERNS	MULTIVOLTAGE	APPROVALS	
2010718		7	10-30V	R10	R65, Class 1
2010709		7	10-30V	R10	R65, Class 2
2010712		16	10-30V	R10	----
2010710		16	10-30V	R10	----
2010705		7	10-30V	R10	R65, Class 1
2010707		7	10-30V	R10	R65, Class 2
2010713		16	10-30V	R10	----
2010708		16	10-30V	R10	----
2010717		7	10-30V	R10	R65, Class 1
2010711		7	10-30V	R10	R65, Class 2
2010723		16	10-30V	R10	----
2010714		16	10-30V	R10	----
2010706		7	10-30V	R10	----

\* All models are equipped with 6 LEDs, spreader clear lens and black bezel.

**BEZEL:**

2010721 Cromed bezel (optional)

**MOUNTING ACCESSORIES:**

- 8232851 Simple "L" mounting accessory
- 8232852 Double "L" horizontal mounting accessory
- 8232853 Double "L" vertical mounting accessory
- 8232854 Swivelling mounting module accessory

- Contact our Commercial Department for further information.





# NANOLED Series



Federal Signal Vama introduces the new Nanoled series, the new and revolutionary ultra compact warning lights comprising of 6 LEDs. Thanks to its small size, light weight, easy installation and great light intensity, the Nanoled series break with standard products existing in the market, revealing a versatile installation and increasing security in emergency situations.

Nanoled series incorporate 6 multivoltage LED lights (10-30V), providing higher light intensity and improving energy efficiency. Its LED lights assure a long operational life, reducing maintenance costs and increasing vehicle's life.

Its range includes single colour and dual colour lights, both available with a variety of flash patterns, to correctly satisfy the different market needs.



LESS THAN 3CM TALL!

27,5 mm

ULTRA COMPACT LIGHTS!



9,3 mm

ONLY 42 GRAMS!

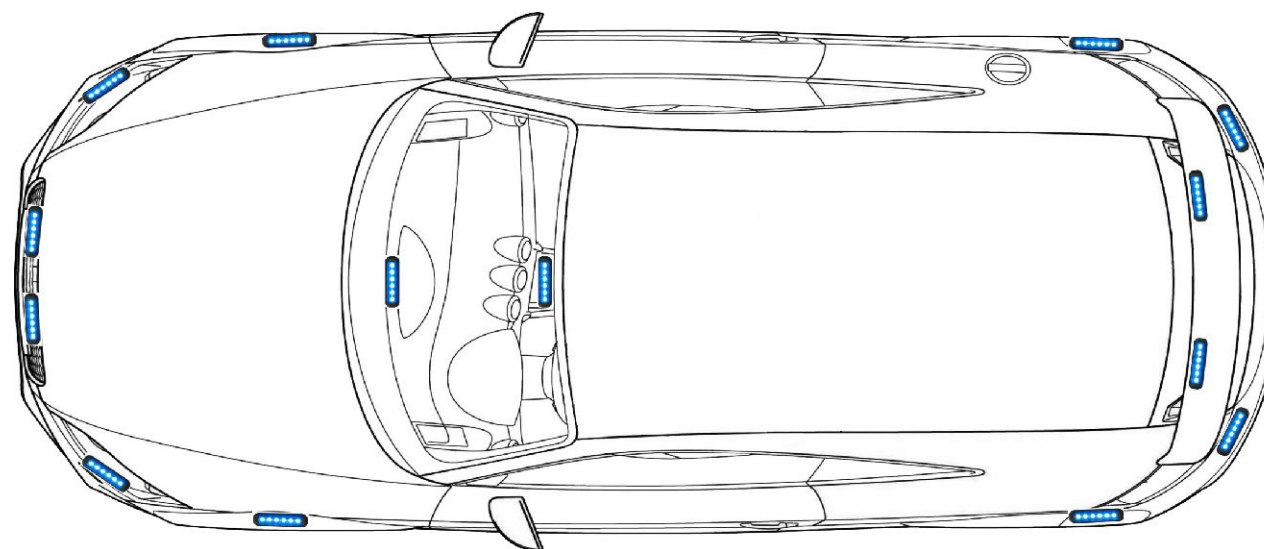


107,5 mm

## EXCELLENT LIGHTING in an ultra compact package!

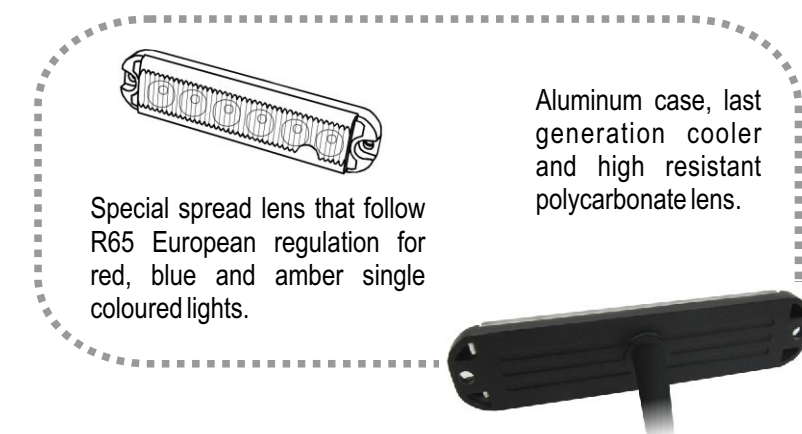


The new Nanoled emergency warning light series increase security due to both its reduced dimensions, and its several and simultaneous mounting positions, which magnify vehicle's visibility.



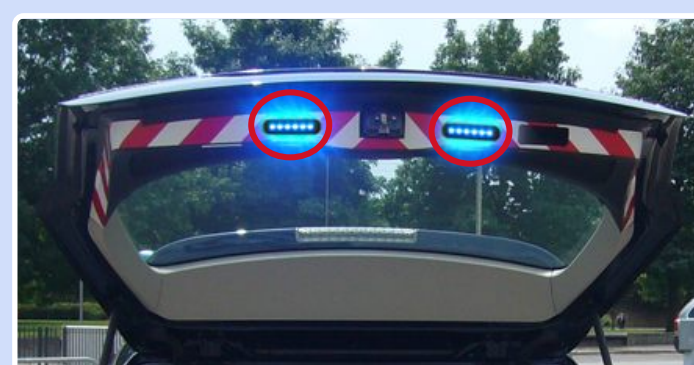
Several installation possibilities. Simultaneous or alternative synchronization.

- EXTREMELY COMPACT.** Especially designed to be lighter and more compact than ever.
- THE HIGHEST INTENSITY.** The 6 LED lights included in the Nanoled series improve energy efficiency and light intensity, providing more security in vehicles when there is an emergency situation.
- SINGLE COLOUR OR DUAL COLOUR LIGHTS.** Its range includes single colour (same colour for all 6 LEDs) or dual colour lights (3 LEDs in each colour).
- LONG OPERATIONAL LIFE.** Federal Signal Vama's LED technology guarantees a long operational life for this supplemental warning light, reducing maintenance costs and vehicle's life.
- EASY AND VERSATILE INSTALLATION.** Thanks to its reduced dimensions, weight and mounting accessories availability, its installation is very easy.
- SOLUTION FOR ANY MARKET NEEDS.** As a result of having several light colours and due to its versatility, Nanoled series lights can be integrated in the grill, inside or outside the vehicle, in the trunk or in the vehicle's rear part.
- WATER PROTECTION.** Follow protection certification IPX9K IPX6.
- CONNECTION SIMPLICITY.** Nanoled's installation only requires one cable and its installation is made from vehicle's outside part.
- SYNCHRONIZABLE.** Nanoled series allows simultaneous or alternative synchronization up to 12 lights.



Special spread lens that follow R65 European regulation for red, blue and amber single coloured lights.

Aluminum case, last generation cooler and high resistant polycarbonate lens.



- Mounting accesories:**
- Simple "L" mounting accessory
  - Double "L" horizontal mounting accessory
  - Double "L" vertical mounting accessory
  - Swivelling mounting module accessory